



Nordic Flow Control Pte Ltd

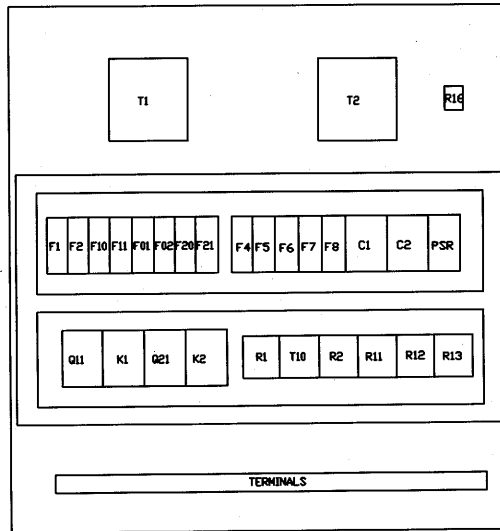
No. 8, Teban Gardens Crescent, Singapore (608922)
Tel : + 65 6848 4400 Fax : + 65 6848 4411 / 6425 2983



Certificate Number: 5498

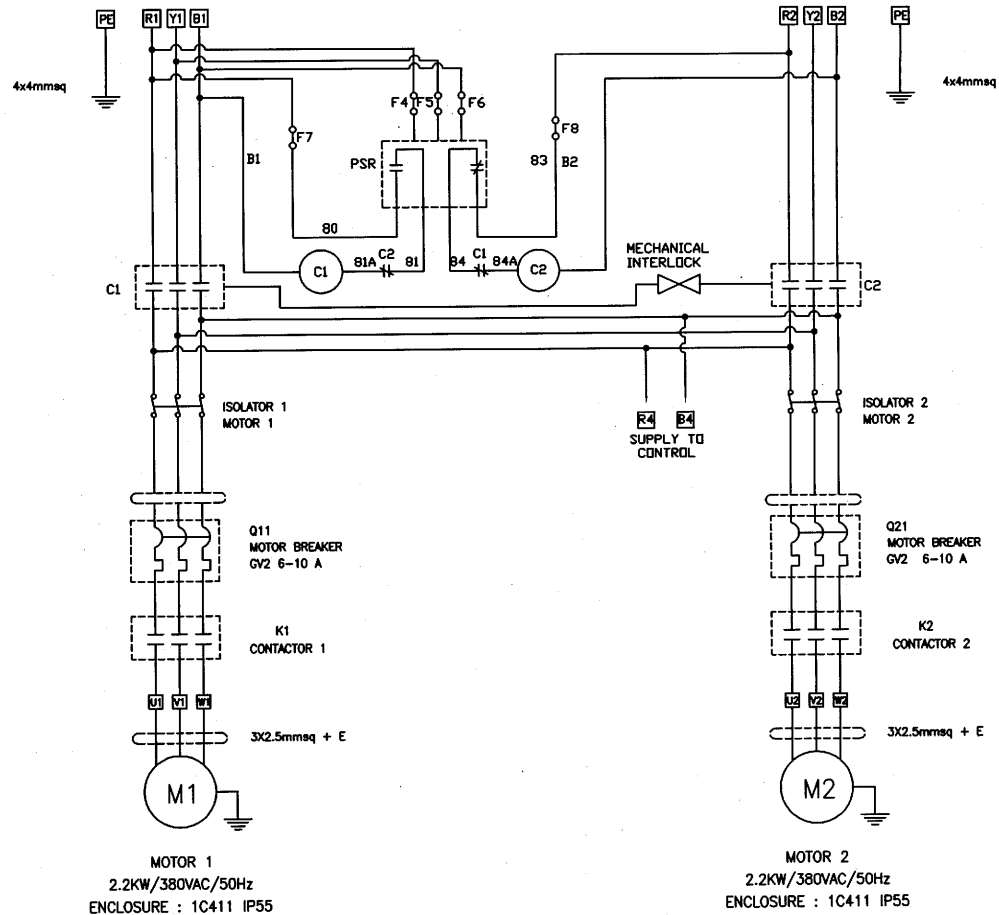
Customer: HuangPu Shipbuilding CO. LTD.	Hull No:	Type: 7.000 DWT BARGE
PO Number:	Nordic Project Number: 2008-2231/2235	Class: CCS
System: VALVE REMOTE CONTROL	Title : -	Rev: Date: APP.REV.A1 24 MAR. 2008

7.4 Electrical Wiring Diagram



- T1, T2 : TRANSFORMER
- Q11, Q21 : MOTOR BREAKER
- R1, R2, R11, R12, R13, R16 : RELAY
- K1, K2, C1, C2 : LINE CONTACTOR
- F1, F2, F10, F11, F01, F02, F20, F21, F4, F5, F6, F7, F8 : FUSE
- T10 : TIMER RELAY
- PSR : PHASE SEQUENCE RELAY

NOTES:
 RECOMMENDED CABLE SIZE FOR INCOMING IS 4 X 4 MMSQ
 RECOMMENDED CABLE SIZE FOR FEEDBACK SIGNAL IS 1.5MMSQ



MOTOR 1
 2.2KW/380VAC/50Hz
 ENCLOSURE : 1C411 IP55

MOTOR 2
 2.2KW/380VAC/50Hz
 ENCLOSURE : 1C411 IP55

C1	Issued for Construction	Y1	RICKY	BONG	020807		
A1	Issued for Approval	Y1	RICKY	BONG	130607		
Rev	Description	Drawn	Design/Chk	Approved	Date	Approved	Date
NORDIC SEA LINK MARTIME CO. LTD.							

Customer:	SEA LINK MARTIME CO. LTD.	Title:	HPU150 HYDRAULIC POWER UNIT PANEL LAYOUT
Project:	VALVE REMOTE CONTROL	Hull No.:	-
		P.O No.:	-

GENERAL NOTES:

NOTE 1: NORDIC RESERVE THE RIGHTS TO MAKE CHANGES OR MODIFICATIONS TO THE ABOVE ENGINEERING DESIGN WITHOUT PRIOR NOTICE TO THE CUSTOMER.
 NOTE 2: THIS DRAWING AND DESIGN IS THE PROPERTY OF NORDIC. IT SHALL NOT BE COPIED, USED OR DISCLOSED TO ANY THIRD PARTY WITHOUT THE WRITTEN CONSENT OF THE COMPANY.

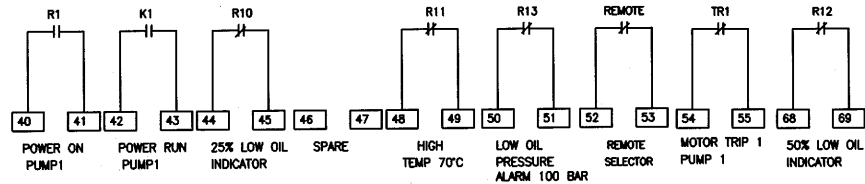
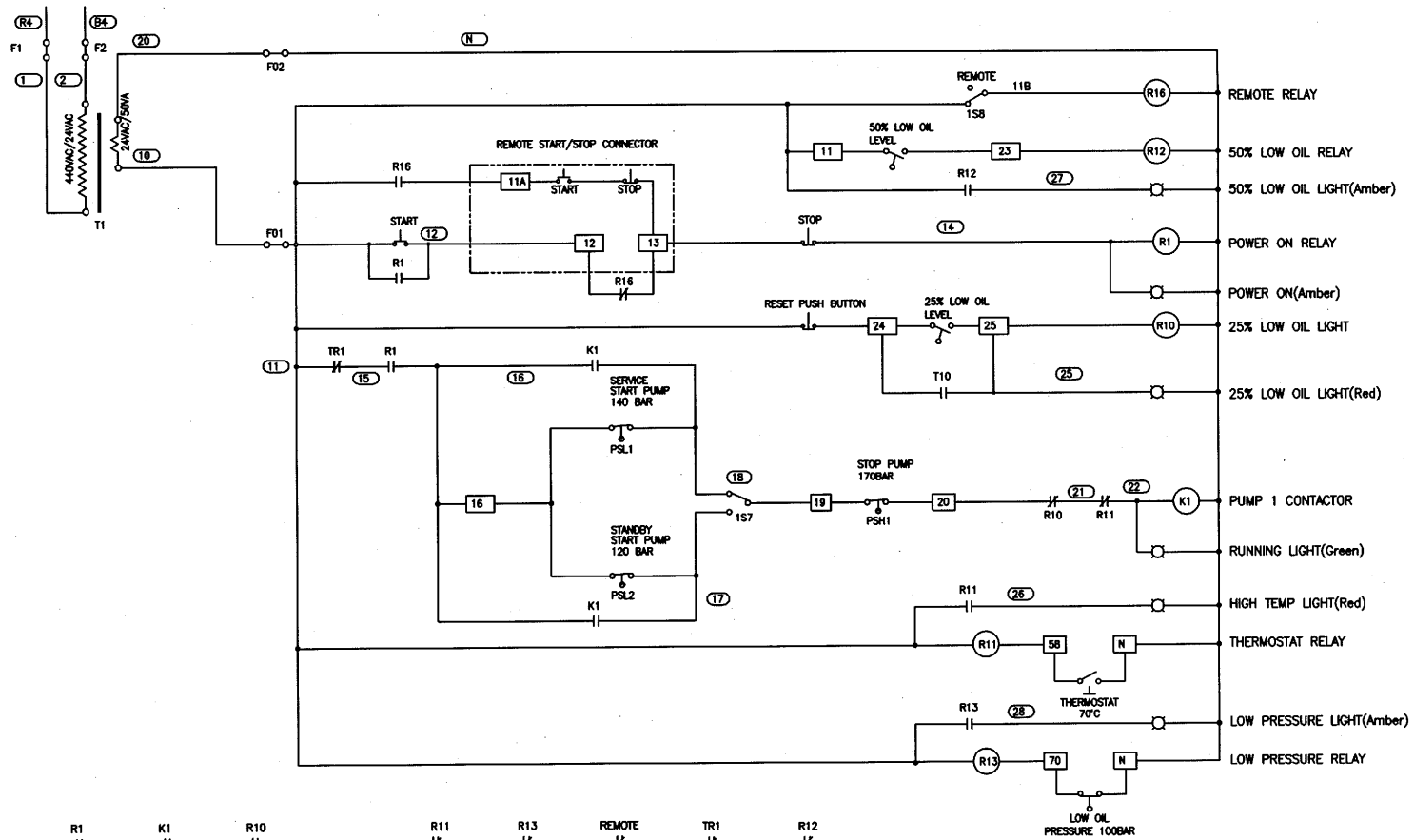
ALL DIMENSIONS IN MM UNLESS OTHERWISE STATED

Projection: Scale: NTS

NORDIC FLOW CONTROL PTE LTD
 No. 8 Teban Gardens Crescent SINGAPORE 608922
 Tel:(65) 6848 4400 Fax:(65) 6848 4411

CCS

Class.: CCS
 Project No.: 2008-2231
 Dwg No.: HPU-ELE-01



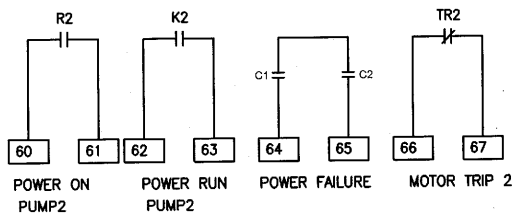
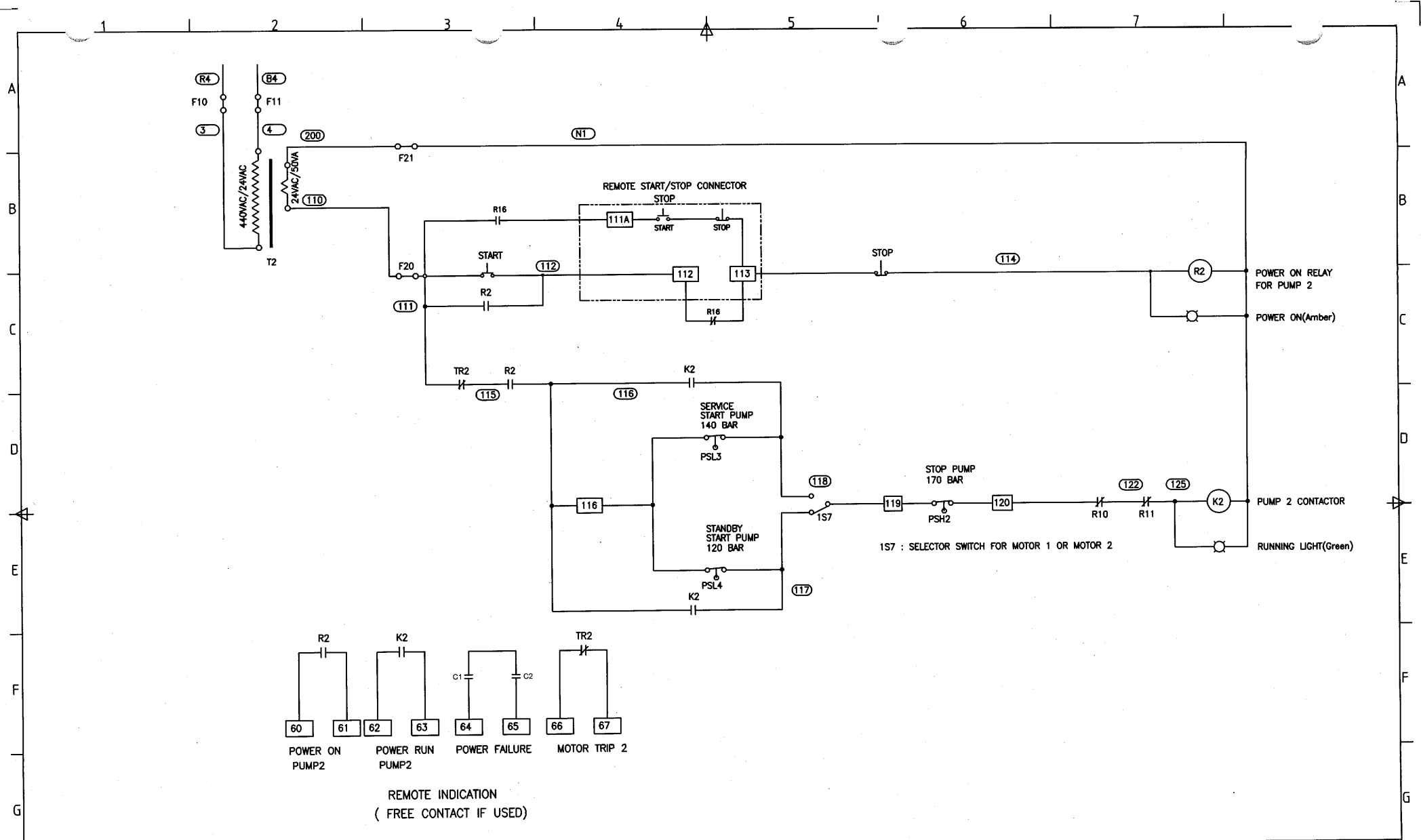
REMOTE INDICATION
(FREE CONTACT IF USED)

Customer: SEA LINK MARTIME CO. LTD.						Title: HPU150 HYDRAULIC POWER UNIT PANEL LAYOUT	
Project: VALVE REMOTE CONTROL						Hull No: - P.O No.: -	
Approved: _____ Date: _____						Class.: NBS Project No.: 2008-2231	
Dwg No.: HPU-ELE-02							

Rev	Description	Drawn	Design/Chk	Approved	Date	Approved	Date
C1	Issued for Construction	YI	RICKY	BONG	020807		
A1	Issued for Approval	YI	RICKY	BONG	130607		

GENERAL NOTES:		NOTE 1: NORDIC RESERVE THE RIGHTS TO MAKE CHANGES OR MODIFICATIONS TO THE ABOVE ENGINEERING DESIGN WITHOUT PRIOR NOTICE TO THE CUSTOMER.	
		NOTE 2: THIS DRAWING AND DESIGN IS THE PROPERTY OF NORDIC. IT SHALL NOT BE COPIED, USED OR DISCLOSED TO ANY THIRD PARTY WITHOUT THE WRITTEN CONSENT OF THE COMPANY.	
ALL DIMENSIONS IN MM UNLESS OTHERWISE STATED		Projection:	Scale: 1:1

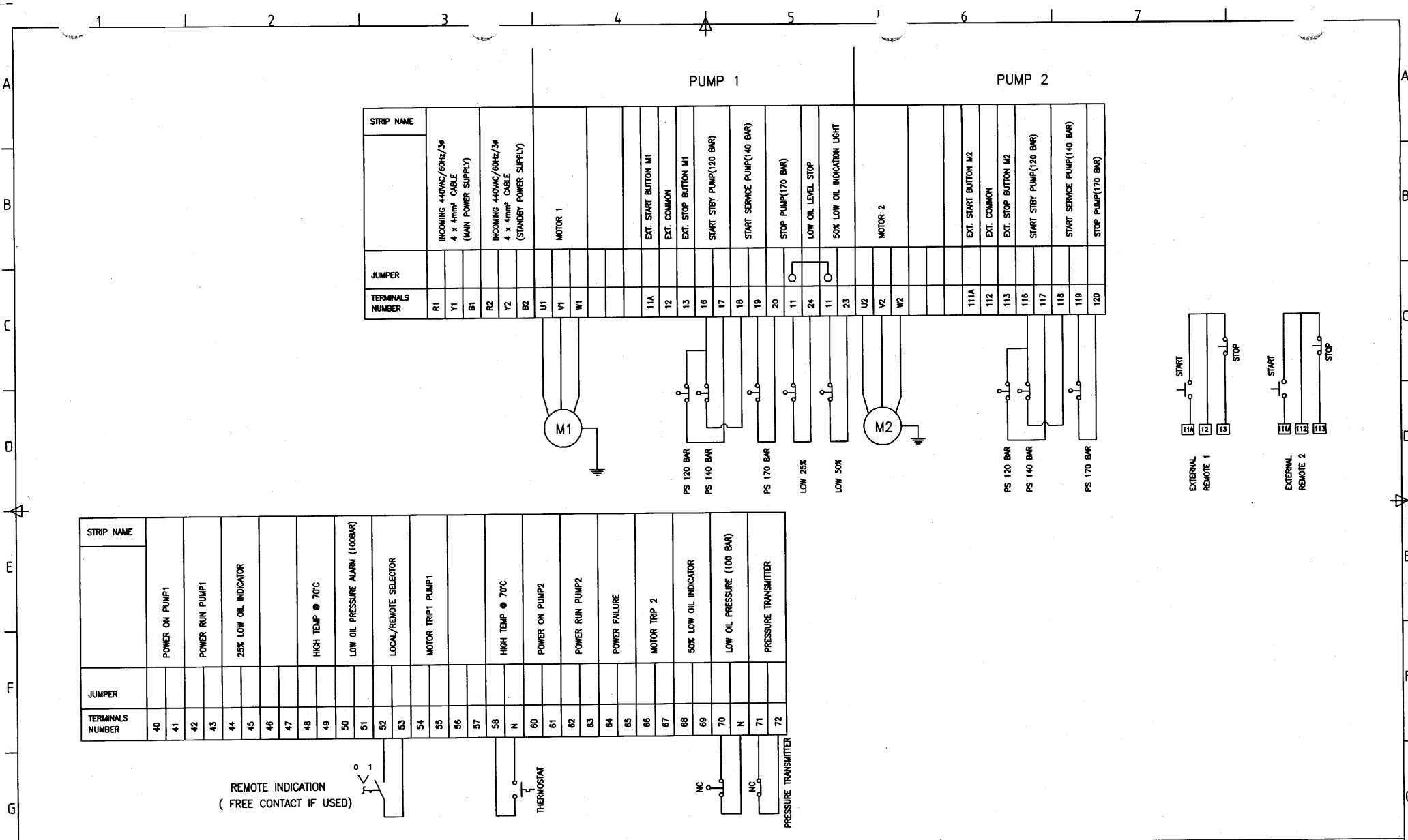
NORDIC FLOW CONTROL PTE LTD
 No. 8 Teban Gardens Crescent SINGAPORE 608922
 Tel:(65) 6848 4400 Fax:(65) 6848 4411



REMOTE INDICATION
(FREE CONTACT IF USED)

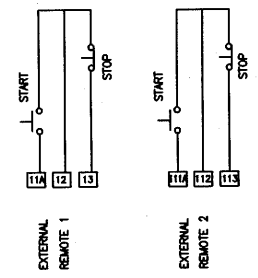
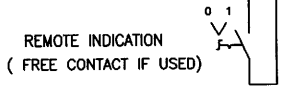
						Customer: SEA LINK MARTIME CO. LTD.		Title: HPU150 HYDRAULIC POWER UNIT PANEL LAYOUT	
C1	Issued for Construction	YI	RICKY	BONG	020807	Project: VALVE REMOTE CONTROL		Hull No: -	P.O No.: -
A1	Issued for Approval	YI	RICKY	BONG	130607	Approved: _____ Date: _____		Project No.: 2008-2231	
Rev	Description	Drawn	Design/Chk	Approved	Date	SEA LINK MARTIME CO. LTD.		Class.: CCS	Dwg No.: HPU-ELE-03
GENERAL NOTES:						NOTE 1: NORDIC RESERVE THE RIGHTS TO MAKE CHANGES OR MODIFICATIONS TO THE ABOVE ENGINEERING DESIGN WITHOUT PRIOR NOTICE TO THE CUSTOMER. NOTE 2: THIS DRAWING AND DESIGN IS THE PROPERTY OF NORDIC. IT SHALL NOT BE COPIED, USED OR DISCLOSED TO ANY THIRD PARTY WITHOUT THE WRITTEN CONSENT OF THE COMPANY. ALL DIMENSIONS IN MM UNLESS OTHERWISE STATED		Projection: Scale: 1:1 Nordics	

NORDIC FLOW CONTROL PTE LTD
 No. 8 Teban Gardens Crescent SINGAPORE 608922
 Tel:(65) 6848 4400 Fax:(65) 6848 4411



TERMINALS NUMBER	JUMPER	STRIP NAME
R1		
Y1		INCOMING 440VAC/60HZ/3Φ 4 x 4mm ² CABLE (MAIN POWER SUPPLY)
B1		
R2		INCOMING 440VAC/60HZ/3Φ 4 x 4mm ² CABLE (STANDBY POWER SUPPLY)
Y2		
B2		
U1		MOTOR 1
V1		
W1		
11A		EXT. START BUTTON M1
12		EXT. COMMON
13		EXT. STOP BUTTON M1
16		START STBY PUMP(120 BAR)
17		
18		START SERVICE PUMP(140 BAR)
19		
20		STOP PUMP(170 BAR)
11		LOW OIL LEVEL STOP
24		
11		50% LOW OIL INDICATION LIGHT
23		
U2		MOTOR 2
V2		
W2		
111A		EXT. START BUTTON M2
112		EXT. COMMON
113		EXT. STOP BUTTON M2
116		START STBY PUMP(120 BAR)
117		
118		START SERVICE PUMP(140 BAR)
119		
120		STOP PUMP(170 BAR)

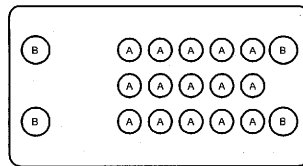
TERMINALS NUMBER	JUMPER	STRIP NAME
40		POWER ON PUMP1
41		
42		POWER RUN PUMP1
43		
44		25% LOW OIL INDICATOR
45		
46		
47		HIGH TEMP ● 70°C
48		
49		LOW OIL PRESSURE ALARM (100BAR)
50		
51		LOCAL/REMOTE SELECTOR
52		
53		MOTOR TRIP1 PUMP1
54		
55		
56		
57		
58		HIGH TEMP ● 70°C
N		
60		POWER ON PUMP2
61		
62		POWER RUN PUMP2
63		
64		POWER FAILURE
65		
66		MOTOR TRIP 2
67		
68		50% LOW OIL INDICATOR
69		
70		LOW OIL PRESSURE (100 BAR)
N		
71		PRESSURE TRANSMITTER
72		



Customer: SEA LINK MARTIME CO. LTD.						Title: HPU150 HYDRAULIC POWER UNIT PANEL LAYOUT	
Project: VALVE REMOTE CONTROL						Hull No: - P.O No.: -	
Approved: SEA LINK MARTIME CO. LTD.						Class.: CCS	
Date: 020807						Project No.: 2008-2231	
Date: 130607						Dwg No.: HPU-ELE-04	
Scale: 1:1						Nordic Pte Ltd	
Projection:						No. 8 Teban Gardens Crescent SINGAPORE 608922	
Tel: (65) 6848 4400 Fax: (65) 6848 4411							

GENERAL NOTES:

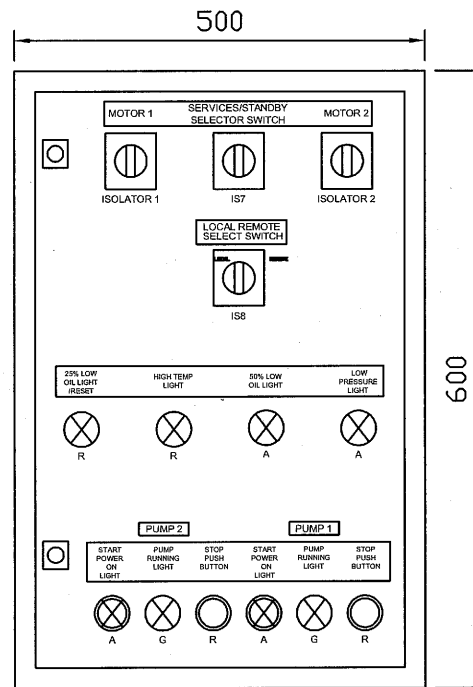
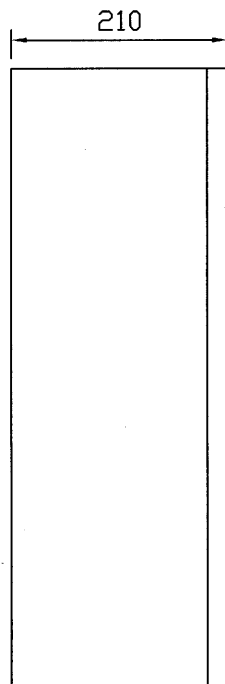
NOTE 1: NORDIC RESERVE THE RIGHTS TO MAKE CHANGES OR MODIFICATIONS TO THE ABOVE ENGINEERING DESIGN WITHOUT PRIOR NOTICE TO THE CUSTOMER.
 NOTE 2: THIS DRAWING AND DESIGN IS THE PROPERTY OF NORDIC. IT SHALL NOT BE COPIED, USED OR DISCLOSED TO ANY THIRD PARTY WITHOUT THE WRITTEN CONSENT OF THE COMPANY.
 ALL DIMENSIONS IN MM UNLESS OTHERWISE STATED



Ⓐ PG11=13MM

Ⓑ PG16=17MM

MOTOR HP: 2 X 2.2KW
MOTOR BRAKER SIZE: 2 X GV2 6-10A
PANEL SIZE: 600X500X210MM
INCOMING CABLE SIZE: 4X4MMSQ
BREAKER CABLE SIZE: 3X2.5MMSQ
MOTOR CABLE SIZE: 3X2.5MMSQ + E
CONTROL CABLE :1.5MM SQ



SYMBOL	DESCRIPTION	MODEL	PARTS NO.
	MOTOR BREAKER	TELEMECANIQUE	GV2 - ME10
	CONTROL FUSE	HAGER	HG-L501
	ISOLATOR	BLUE LINE	CA10-A202
	SELECT SWITCH	BLUE LINE	CA10-A221
	RELAY COIL	IDEC	RY4/2S-U24VAC
	RELAY COIL	IDEC	RY4/4S-U24VAC
	PHASE CONTACTOR	TELEMECANIQUE	LC1-D25/24VAC
	MOTOR CONTACTOR	TELEMECANIQUE	LC1-D09/24VAC
	PHASE SEQUENCE RELAY	TELEMECANIQUE	RM4-TG20
	CONTACTOR MECHANICAL	TELEMECANIQUE	LAD9R1V
	TERMINAL BLOCK	TELEMECANIQUE	AB1-VV235U
	START PUSH BUTTON/LAMP	TELEMECANIQUE	XB4-BW35B5
	STOP PUSH BUTTON	TELEMECANIQUE	XB4-BA42
	PILOT LIGHT-RED	TELEMECANIQUE	XB4-BVB4
	PILOT LIGHT-YELLOW	TELEMECANIQUE	XB4-BVB5
	PILOT LIGHT-GREEN	TELEMECANIQUE	XB4-BVB3

C1	Issued for Construction	Y1	RICKY	BONG	020807		
A1	Issued for Approval	Y1	RICKY	BONG	130607		
Rev	Description	Drawn	Design/Chk	Approved	Date	Approved	Date
			NORDIC		SEA LINK MARTIME CO. LTD.		

Customer:	SEA LINK MARTIME CO. LTD.	Title:	HPU150 HYDRAULIC POWER UNIT PANEL LAYOUT
Project:	VALVE REMOTE CONTROL	Hull No.:	-
		P.O No.:	-

GENERAL NOTES:

NOTE 1: NORDIC RESERVE THE RIGHTS TO MAKE CHANGES OR MODIFICATIONS TO THE ABOVE ENGINEERING DESIGN WITHOUT PRIOR NOTICE TO THE CUSTOMER.
 NOTE 2: THIS DRAWING AND DESIGN IS THE PROPERTY OF NORDIC. IT SHALL NOT BE COPIED, USED OR DISCLOSED TO ANY THIRD PARTY WITHOUT THE WRITTEN CONSENT OF THE COMPANY.
 ALL DIMENSIONS IN MM UNLESS OTHERWISE STATED

NORDIC FLOW CONTROL PTE LTD
 No. 8 Teban Gardens Crescent SINGAPORE 608922
 Tel:(65) 6848 4400 Fax:(65) 6848 4411

Class.:	CCS	Project No.:	2008-2231
		Dwg No.:	HPU-ELE-05

